

FOLDED HEADREST



Once a week, users should check if SUPERHEAD headrest is functional at an angle of undermentioned fields:

- Padding should be wiping by wet cloth. Please use only soft detergent (do not use bleach).
- Folding should be effortless and there should not occur any disturbance while collapsing wheelchair.
- In some cases (towards folding and storing separately) there will be necessary disassembly of parts with supportive cushion by knob riddance. (Every screw and mounting parts should be secured.)

Patent
US6761338B2

Recomedic
Industrial solutions

**Headrest for traditional
wheelchairs**

SUPERHEAD headrest can be mounted to every wheelchair which can be folded in the side plane. Wheelchair should also have back handgrips made from tube minimum 22 mm.

Headrest are available in three sizes:

Large (L): the width of wheelchair seat is from 42 cm to 54 cm

Medium (M): the width of wheelchair seat is from 36 cm to 46 cm

Small (S): the width of wheelchair seat is from 30 cm to 36 cm

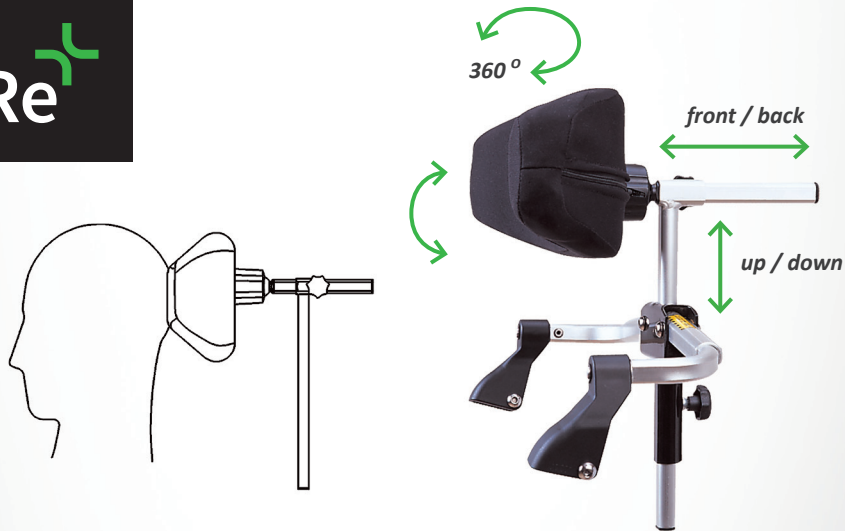
SUPERHEAD headrest is used as a comfortable head support for wheelchair's users both kids and adults.

INSTRUCTION

The headrest is designed to use only in the way recommended in this manual. Producer is not liable for any injury or damage of wheelchair which are connected with modification of the headrest.

With the aim of avoiding injuries and damages of wheelchair, please get familiar with instruction before mounting the headrest.



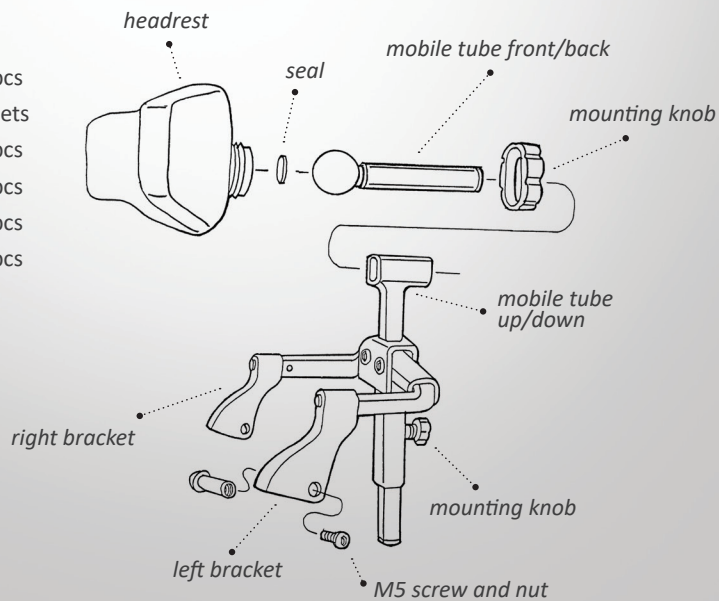


Horizontal position of headrest should be mounted not farther than 10mm from head. The height of headrest should be situated at the middle of user's head height. The headrest's height can be regulated by knob, as you can see on the figure. Knob riddance allows you to uplift and reduce the tube with cushion. After positioning, knob should be tighten by hands. Please do not overstep the height.

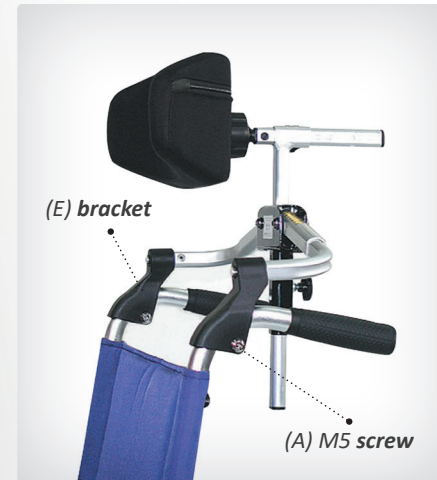
ATTACHMENTS

- Instruction 1 pcs
- Screw and nut M5 2 sets
- Key M5 (5m) 2 pcs
- Key M3 (3m) 1 pcs
- Regulate knob 2 pcs
- Seal 1 pcs

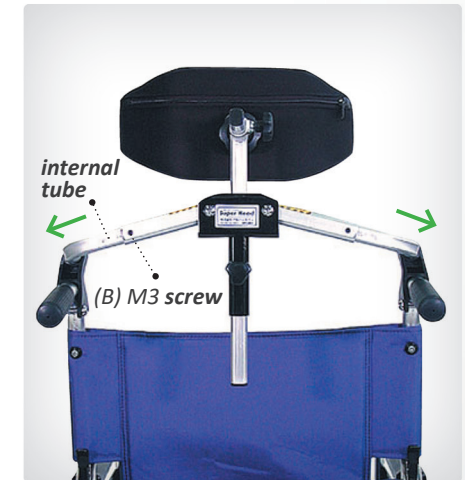
MOUNTING FIGURE



HOW TO MOUNT:



Firstly, please extend the wheelchair, veer the screws (B) to allow for effortless tube's moving. Mount brackets (E) (A) M5 screw of wheelchair's handgrips, then screw it (A).



Softly gape back handgrips of your wheelchair with other person's help. At the same time position medium linking as high as possible (in order to make appropriate pressure of the headrest), then screw it on (B).

HOW TO USE:



While using wheelchair, firstly spread the wheelchair and then shore headrest up.



While folding wheelchair, firstly spread the headrest down to unstretch the pressure and then spread wheelchair.